

Load cells

Mounting kits

DE MOUNTING KIT



Anti-tilting function included

Allows easy replacement of the cell - if necessary – during maintenance, using the 4 bolts installed on the top plate as a jack

Ideal for complex situations where precision and robustness are required

Unique in its kind

It can absorb thermal expansion, deformation and structural failure

Stainless steel made -AISI 304 or AISI 316- (option to be requested)

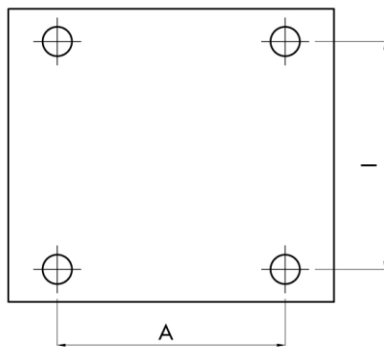
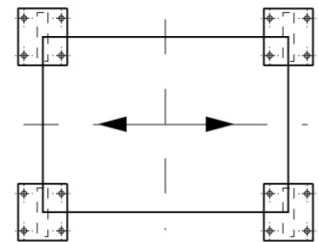
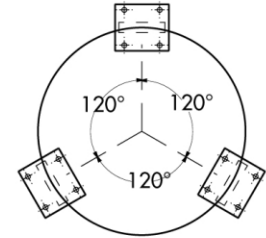
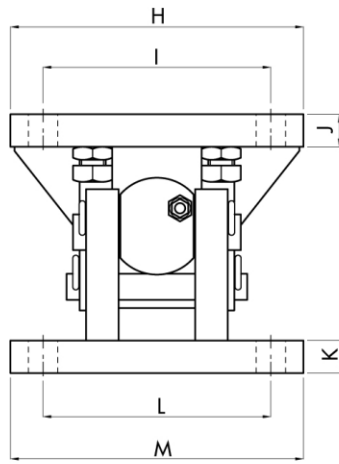
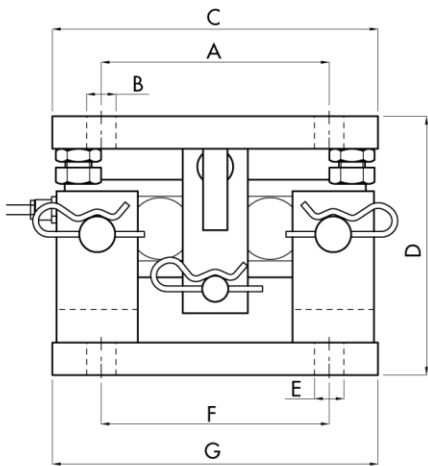
TECHNICAL CHARACTERISTICS DE MOUNTING KIT

DE1 AS:	For DDR load cells capacity 3÷20 t
-	Nickel plated steel
DE1 SS	For DDR load cells capacity 3÷20 t
-	AISI 304 stainless steel construction
DE2 AS	For DDR load cells capacity 30÷50 t
-	Nickel plated steel
DE2 SS	For DDR load cells capacity 30÷50 t
-	AISI 304 stainless steel construction
DE3 AS	For DDR load cells capacity 75÷100 t
-	Nickel plated steel
DE3 SS	For DDR load cells capacity 75÷100 t
-	AISI 304 stainless steel construction

Load cells

Mounting kits

DE MOUNTING KIT



	3-20t	30-50t	75-100t	3-20t S.Steel	30-50t S.Steel	75-100t S.Steel
MAX. PERMISSIBLE SIDE LOAD OFFSET TRANSVERSE TO LOAD CELL	±5mm	±5mm	±10mm	±5mm	±5mm	±10mm
MAX. PERMISSIBLE LIFTING FORCE	6.4T	10.3T	21.1T	8T	13T	21.8T
MAX. PERMISSIBLE FORCE TRANSVERSE TO LOAD CELL	4.2T	7T	9.7T	3.6T	5.4T	7.4T
MAX. PERMISSIBLE FORCE LONGITUDINAL TO LOAD CELL	9.4T	14.6T	15.4T	7.2T	14.4T	18.4T

MODEL	CAPACITY	A	ØB	C	D	ØE	F	G	H	I	J	K	L	M	WEIGHT
DE1 AS/SS	3-20t	140	18	200	160	18	140	200	180	140	20	20	140	180	17kg
DE2 AS/SS	30-50t	175	22	300	200	22	175	300	220	175	25	25	175	220	39KG
DE3 AS/SS	75-100t	220	26	370	270	26	220	370	300	220	30	30	220	300	82KG