

Load cells

Shear beam load cells

SBR



Designed for weighing hoppers, tanks, belts and platforms, low-profile

ATEX (optional)

Approved 3000 division O.I.M.L. R60 C Class

Made of stainless steel, hermetically sealed, fully welded

IP68 Protection (EN60529)

50% resistance to the lateral loads

Avoid the use of mechanical restraints when used with its mounting accessories

TECHNICAL CHARACTERISTICS SB

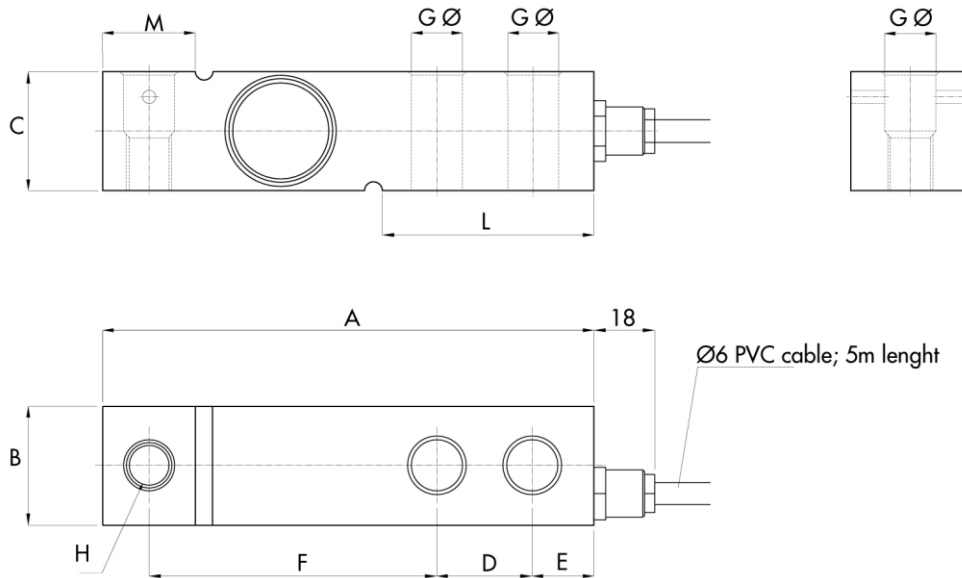
Rated load (R.L.):	300, 500, 750, 1000, 1500, 2000, 3000, 5000 Kg
Combined error:	±0.017% R.O.
Repeatability:	±0.015% R.O.
Creep (20 minutes):	±0.016% R.L.
Safe overload:	150% of R.L.
Ultimate overload:	200% of R.L.
Recommended input:	5÷15 Vdc/ac
input resistance:	400 ± 20 Ohms
Output resistance:	350 ± 3 Ohms
insulation resistance:	> 5000 M Ohms
Rated output (R.O.):	2 ± 0.1% mV/V
Zero balance:	<±1% SN
Temperature range	-30 ÷ +70 °C
Compensated temperature range:	-10 ÷ +40 °C
Temp. effect on zero balance:	< ±0.010% of R.O./5°K
Temp. effect on output:	< ±0.006% on output/5°K
Max Load deflection:	0.2÷0.4 mm
Precision class:	3000 n. OIML
Degree of protection:	IP65
Material:	AISI 17-4PH stainless steel
Electrical connection:	6 conductors shielded cable; length 6 m
Clamping force without any load	300÷2000 kg : 136 Nm 3000÷5000 kg : 205 Nm



Load cells

Shear beam load cells

SBR



Electrical Connections	
+Excitation	Red
-Excitation	Black
+Signal	Green
-Signal	White
Shield	Cable Shield

CAPACITY kg	300-2000	3000-5000
A	130	171.5
B	31.5	41.5
C	31.5	48
D	25.4	38.1
E	15.6	19
F	76.2	95.2
G	13.5	20.5
H	M12x1.75	M20x2.5
L	56	76
M	24.6	37